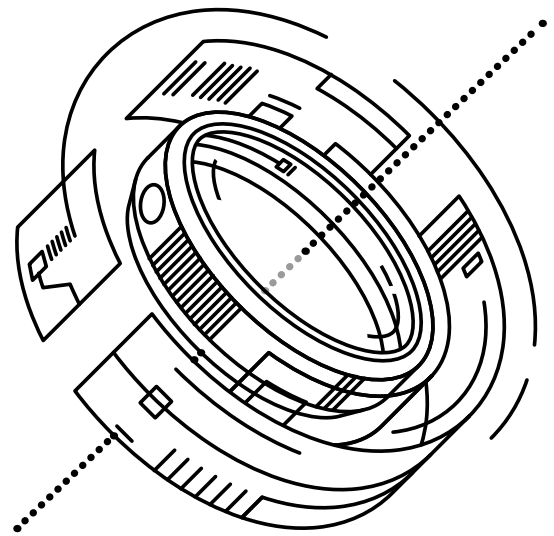


# Policy Optimizer

Maintain policy integrity with automated workflows for policy review, recertification and removal.

IT teams at large enterprise organizations are constantly balancing network access requests with maintaining strong security policy. Traditional processes to accomplish this have been manual and inefficient, allowing troublesome or outdated rules to slip through the cracks. Network and security management teams require targeted intelligence that details justification for every access policy.

Policy Optimizer for FireMon Security Manager automates this entire process while documenting the purpose and ownership of all rules and decisions.



## What Is Policy Optimizer?

FireMon Policy Optimizer is a workflow solution that automates the change review process and gives firewall administrators detailed intelligence to adapt network access over time. This web-based module links security teams with policy owners, validates rule justification and quantifies the risk of requested changes for continuous assessment and audit.

Using Policy Optimizer, network security operations can automatically generate requests for rule review and approval by the teams that initially requested access.

### Policy Optimizer automates network security review workflow with firewall-specific functions that:

- Highlight critical security rule failures based on severity or review timing.
- Assign rule review tasks based on existing properties and documentation.
- Document all decisions and justifications in FireMon Security Manager.
- Generate information and best practices for rule modification or removal.
- Create ad-hoc reporting for review decisions.
- Produce reports detailing rule review decisions for auditors and other interested parties.

# Solution Features

## 01 AUTOMATED POLICY REVIEW

Assign review based on rule and policy properties and dictate removal of troublesome, outdated or undocumented rules. The integrated policy review platform eliminates inefficient,

error-prone manual processes and ensures network operations' ability to improve protection and compliance.

## 02 EVENT-DRIVEN ENROLLMENT

Automatically identify rules that demand immediate analysis as determined by real-world events such as time-frame

expiration, critical security control failure, periodic review or ad-hoc query.

## 03 TARGETED INTELLIGENCE FOR RULE IMPROVEMENT

Get detailed information regarding each reviewed rule with the option to approve or reject current rule configuration.

### It also assists with:

- Best Practices Adoption – Quickly confer with business stakeholders and remove rules that are expired, undocumented, hidden or unused, as well as those that have been modified from their original purpose.
- Performance Improvement – Avoid the service interruptions that can happen due to unnecessary rules reducing the productive life of a firewall.

## 04 MAINTAIN COMPLIANT STATUS

Interact directly with compliance and audit staff to ensure that any modifications retain alignment with required controls and maintain

a repository of change documentation for use during mandated assessments and audits.

## 05 CUSTOMIZED WORKFLOW

Easily change the built-in workflow to meet your custom needs. Because it is built on BPMN 2.0 task types, you can utilize a work flow specific to your environment. When integrated with the FireMon Policy Planner module, Policy

Optimizer can be extended to create change tickets for removable rules and invoke application-level recommendations. This integration closes the loop on the rule lifecycle in that rules are effectively removed when they're at the end of their useful life.

## 06 THIRD-PARTY INTEGRATION

Integrate with existing management systems seamlessly. Policy Optimizer supports numerous connection points throughout the change process.

### Supported systems include:

- HP Service Manager
- BMC Remedy
- Service Now
- Proprietary Systems

## WHY POLICY OPTIMIZER?

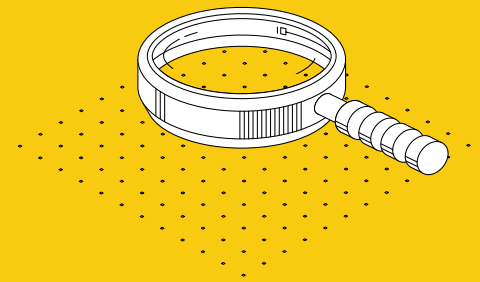
Accurate, automated review of firewall policies to certify necessary rules and remediate risky or unnecessary access.

### USE POLICY OPTIMIZER TO:

- Validate current access with business stakeholders.
- Identify and eliminate risky and overly permissive rules.
- Ensure ongoing compliance with standards, including PCI DSS, NERC-CIP, HIPAA and SOX.
- Streamline workflow between operations and management.
- Update and document all access policies.

### FEATURES:

- Single view into device policies across the network
- Event-driven rule review
- Identification of rule settings that trigger removal



Learn more about our solutions: [www.firemon.com](http://www.firemon.com)

8400 W. 110th Street, Suite 500  
Overland Park, KS 66210 USA